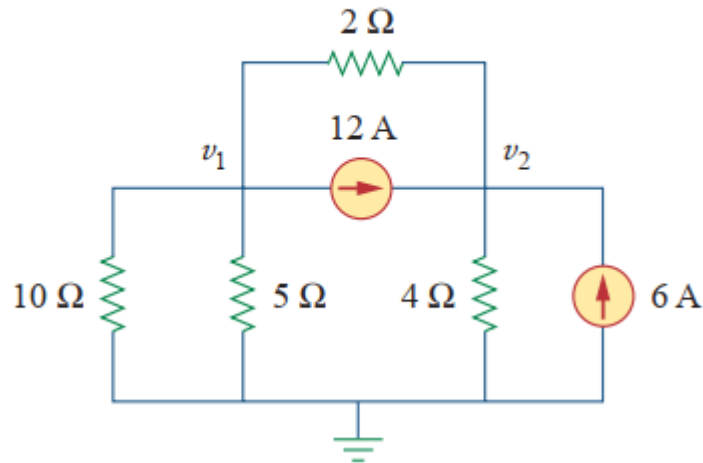
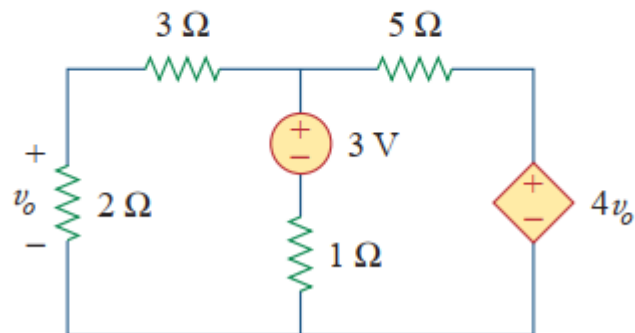


Sheet 3

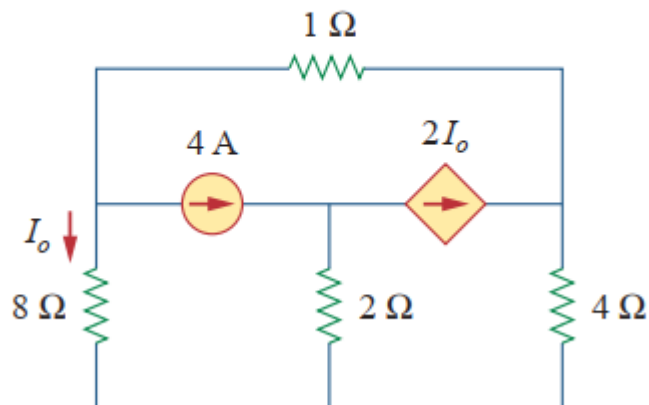
3.2 For the circuit in Fig. 3.51, obtain v_1 and v_2 .



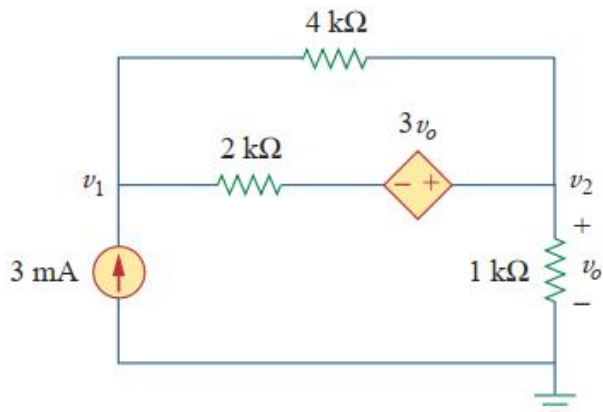
3.8 Using nodal analysis, find v_o in the circuit of Fig. 3.57.



3.10 Find I_o in the circuit of Fig. 3.59.

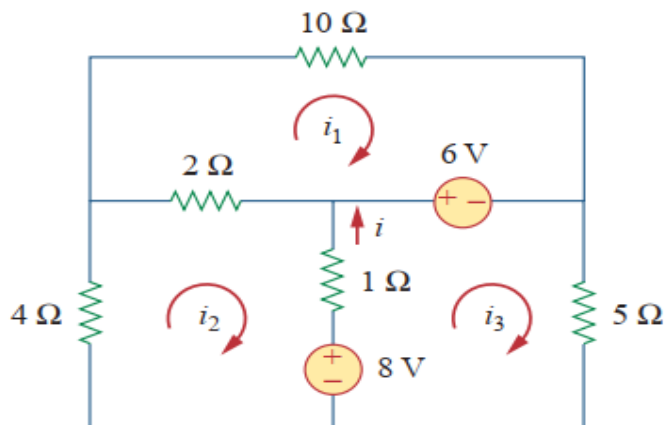


3.21 For the circuit in Fig. 3.70, find v_1 and v_2 using nodal analysis.



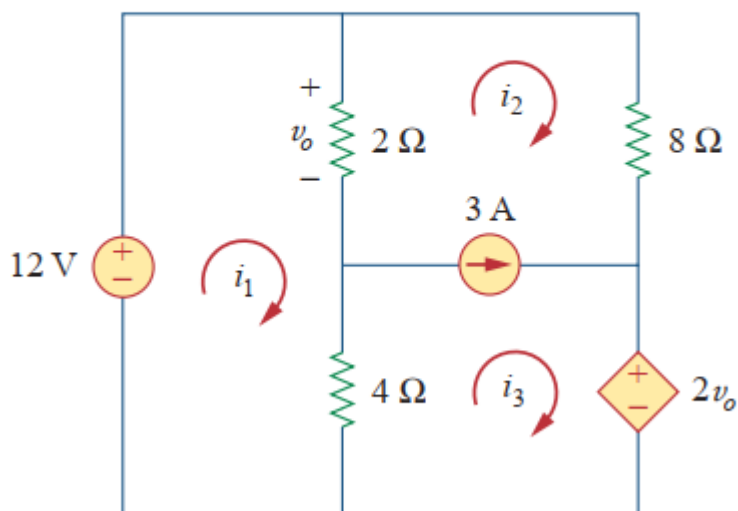
3.41 Apply mesh analysis to find i in Fig. 3.87.

ML



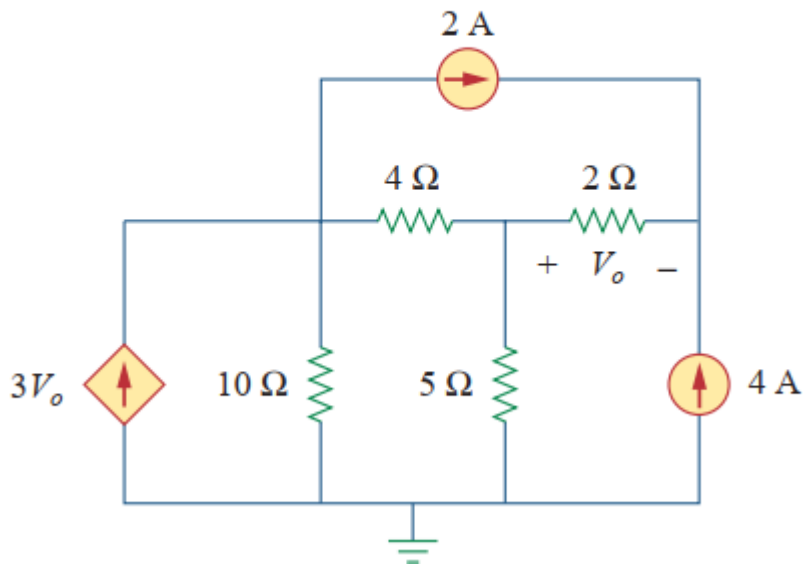
3.52 Use mesh analysis to find i_1 , i_2 , and i_3 in the circuit of Fig. 3.97.

ML



3.67 Obtain the node-voltage equations for the circuit in

Fig. 3.111 by inspection. Then solve for V_o .



3.73 Write the mesh-current equations for the circuit in Fig. 3.117.

