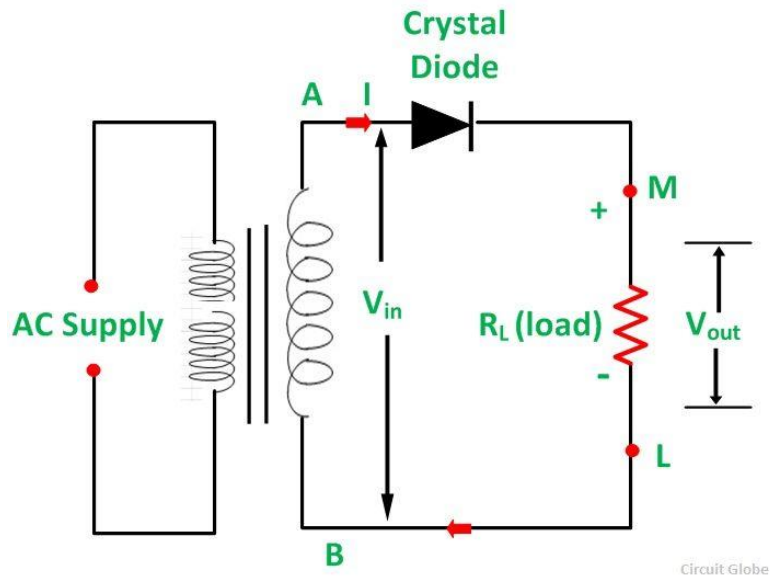
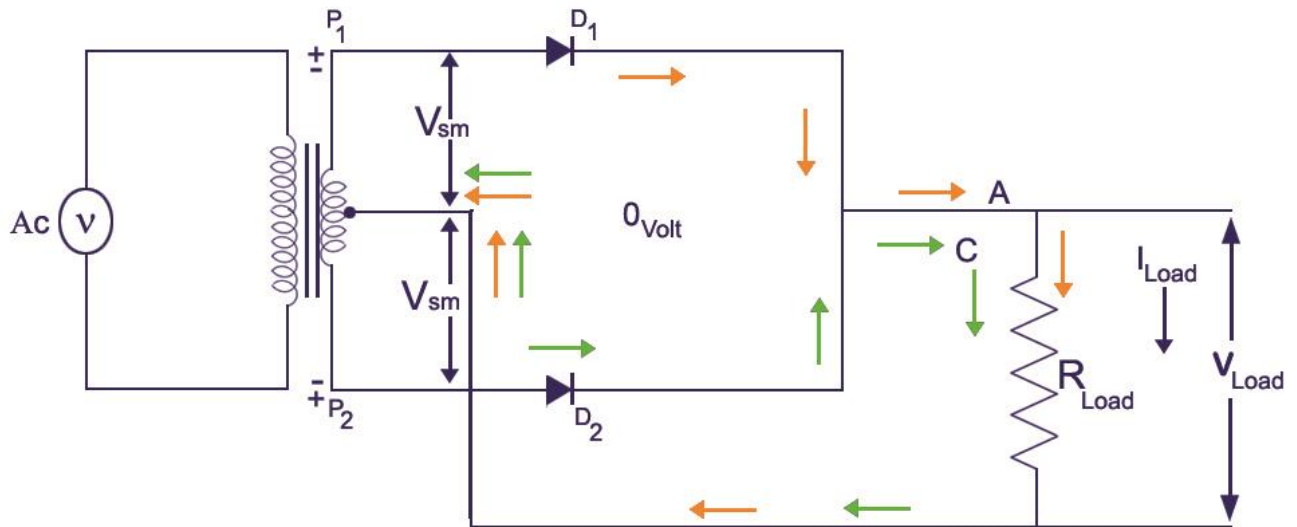


Sheet 5

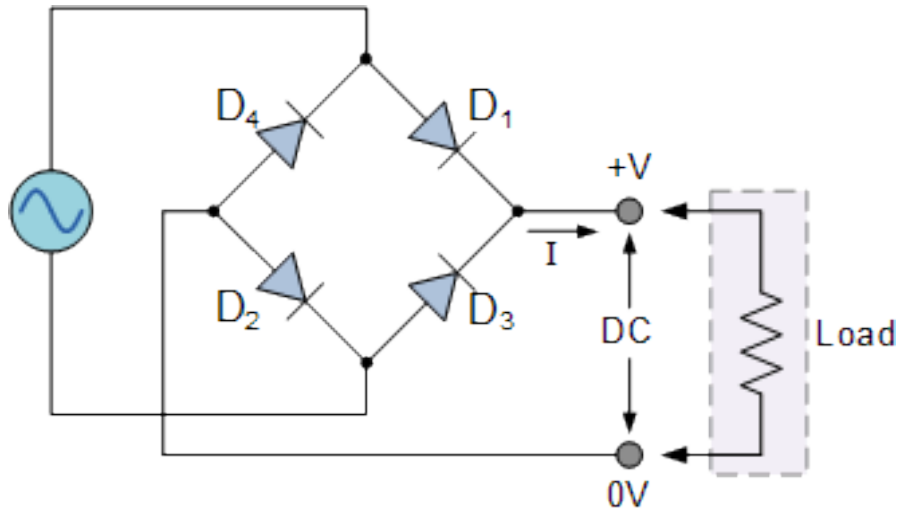
Rectifier circuits



Half wave rectifier

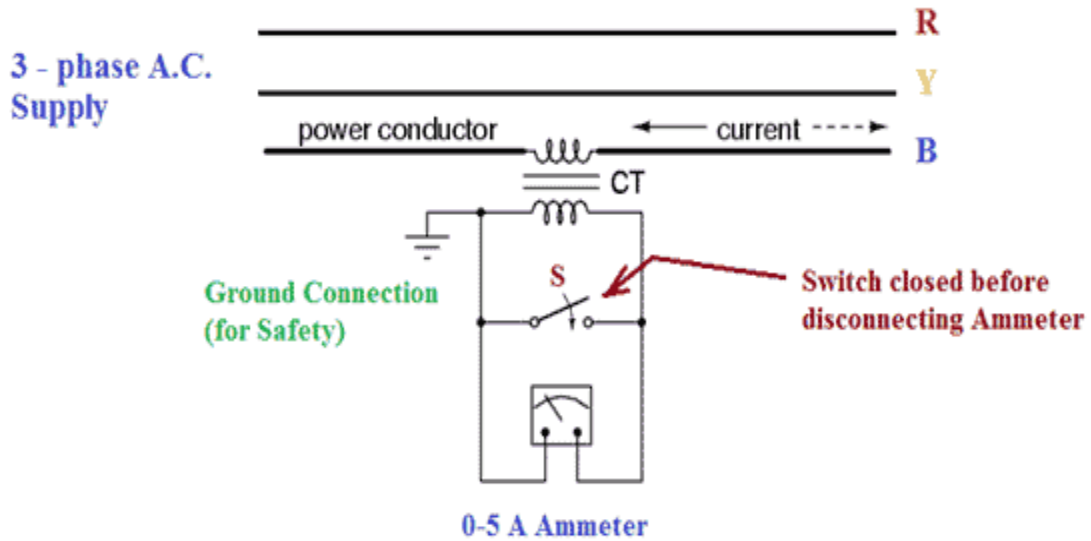


CENTRE - TAP FULL-WAVE RECTIFIER CIRCUIT



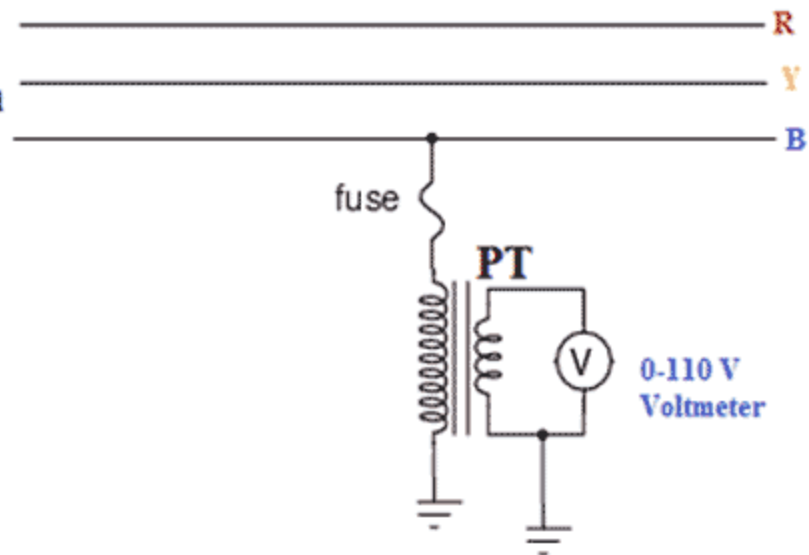
Bridge Full wave rectifier

C.T and P.T connection at high voltage



Current Transformer (C.T.)

3-Phase A.C. System



Potential Transformer (P.T.)

